

WM LIGHT PLUS

STRONG, LIGHTWEIGHT ALUMINIUM LOADING RAMP FOR LOADS OF UP TO 600 KG. WITH EXTERNAL SWIVEL FUNCTION FOR RAPID ACCESS TO THE VAN'S CARGO AREA.

LOAD CAPACITY: UP TO 600 KG



LOAD CAPACITY
400 kg and 600 kg

CUSTOM DIMENSIONS

CUSTOMISED DIMENSIONS
Width from 40 to 120 cm
Length from 175 to 325 cm



HANDLING
External swivelling



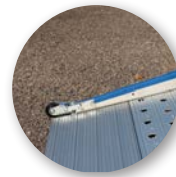
COLOUR
Blue



Anti-slip anodised aluminium platform



Flexible contact plate to the van floor

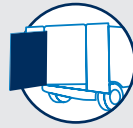
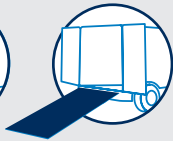


Two wheels for easy deployment



Safety edges (6 cm)





DEPLOYMENT AND CLOSING

The WM Light Plus ramp is constructed from reinforced aluminium making it lightweight and very easy to use due to its patented spring-assisted system. The built-in swivel feature allows the ramp to pivot externally at 90 degrees giving the operator full access to the rear of the vehicle when required. The anti-slip surface provides a safe loading platform with raised lateral anti-fall edges increasing load safety. The ramp can swivel internally with an optional kit.

OPTIONAL EXTRAS

INTERNAL SWIVELLING



Swivel kit that makes it possible to rotate the ramp through 90° toward the interior of the van. Complete with a special latch, to which the ramp is secured inside the van.



PERFORATED PLATFORM

WM System exclusive platform style. Platform surface in perforated aluminium with alternated convex holes. For maximum grip in the presence of water, rain and snow. Exceptionally light weight.



FLEXIBLE PLATE FOR DOCK-LOADING

By using a supplied pin, the ramp can be locked open to allow dock, or vehicle to vehicle loading at various heights.



SUPPLEMENTARY 3RD PIECE KIT

Reduces the ramp angle and results in 3 folding ramp sections. Ideal for use with small vehicles. Available for load capacities up to 600 kg. Max. width of 100 cm and fixed length of 80 cm.

APPLICATION SECTORS



HEALTHCARE & MEDICAL



CATERING



EVENTS CONCERTS



GENERAL CLEANING EQUIPMENT

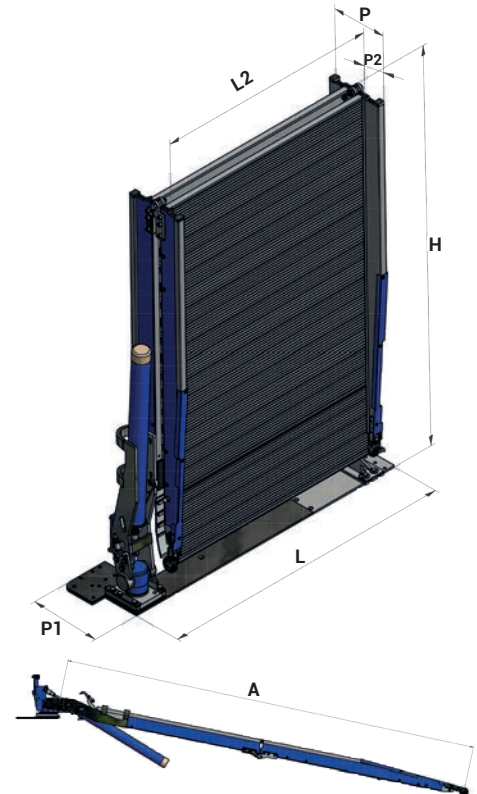


MOTORBIKES BICYCLES



LAUNDRY TROLLEYS

| EXAMPLE MODELS | A (mm) | L (mm) | L2 (mm) | H (mm) | P (mm) | P1 (mm) | P2 (mm) | Capac. (Kg) | Weight* (Kg) |
|----------------|--------|--------|---------|--------|--------|---------|---------|-------------|--------------|
| PLUS 80 | 2000 | 1065 | 800 | 1175 | 203 | 250 | 60 | 600 | 71 |
| PLUS 90 | 2250 | 1165 | 900 | 1300 | 203 | 250 | 60 | 600 | 78 |
| PLUS 90 | 2500 | 1165 | 900 | 1425 | 203 | 250 | 60 | 600 | 83 |
| PLUS 95 | 2000 | 1215 | 950 | 1175 | 203 | 250 | 60 | 600 | 76 |
| PLUS 95 | 2750 | 1215 | 950 | 1550 | 203 | 250 | 60 | 600 | 89 |
| PLUS 100 | 2500 | 1265 | 1000 | 1425 | 203 | 250 | 60 | 400 | 87 |
| PLUS 100 | 3000 | 1265 | 1000 | 1675 | 203 | 250 | 60 | 400 | 96 |
| PLUS 100 | 3250 | 1265 | 1000 | 1800 | 203 | 250 | 60 | 400 | 101 |
| PLUS 105 | 2500 | 1315 | 1050 | 1425 | 203 | 250 | 60 | 400 | 89 |
| PLUS 105 | 3000 | 1315 | 1050 | 1675 | 203 | 250 | 60 | 400 | 98 |
| PLUS 110 | 2750 | 1365 | 1100 | 1550 | 203 | 250 | 60 | 400 | 96 |
| PLUS 110 | 3250 | 1365 | 1100 | 1800 | 203 | 250 | 60 | 400 | 106 |
| PLUS 120 | 2500 | 1465 | 1200 | 1425 | 203 | 250 | 60 | 400 | 95 |
| PLUS 120 | 3000 | 1465 | 1200 | 1675 | 203 | 250 | 60 | 400 | 105 |
| PLUS 120 | 3250 | 1465 | 1200 | 1800 | 203 | 250 | 60 | 400 | 111 |



* The specified weight does not include the installation kit, which depends on the van. (min. 2 kg - max. 7 kg)